

- **Flexible Modular System**
- **Analog RF Bandwidth to 4 GHz**
- **RF Transport up to 20KM**
- **High Dynamic Range**
- **Wide Bandwidth**
- **Low Noise**
- **Temperature Compensated**
- **1310nm, 1550nm, and CWDM Options**



Linear Photonics' DiLink Plug-In Modules provide high density, high reliability, interchangeable interfacility communications links for use in our 1RU IFL chassis. Applications include signal and antenna distribution, communications, radar, testing, and campus networking.

These single-wide plug-in modules allow any mix of up to six modules in a single rack, with frequency range options up to 4 GHz. All link modules are hot-swappable for plug-and-play operation.

Linear Photonics offers a wide variety of active and passive plug-in modules, including RF-to-Fiber Optic Transmitters and Receivers, RF Mux and DeMux modules, Fiber Optic CWDM and DWDM modules, RF Low Noise amplifier modules, Erbium Doped Fiber Amplifier (EDFA) modules, and Customized modules configured with any RF and Fiber components required to meet your specific needs.



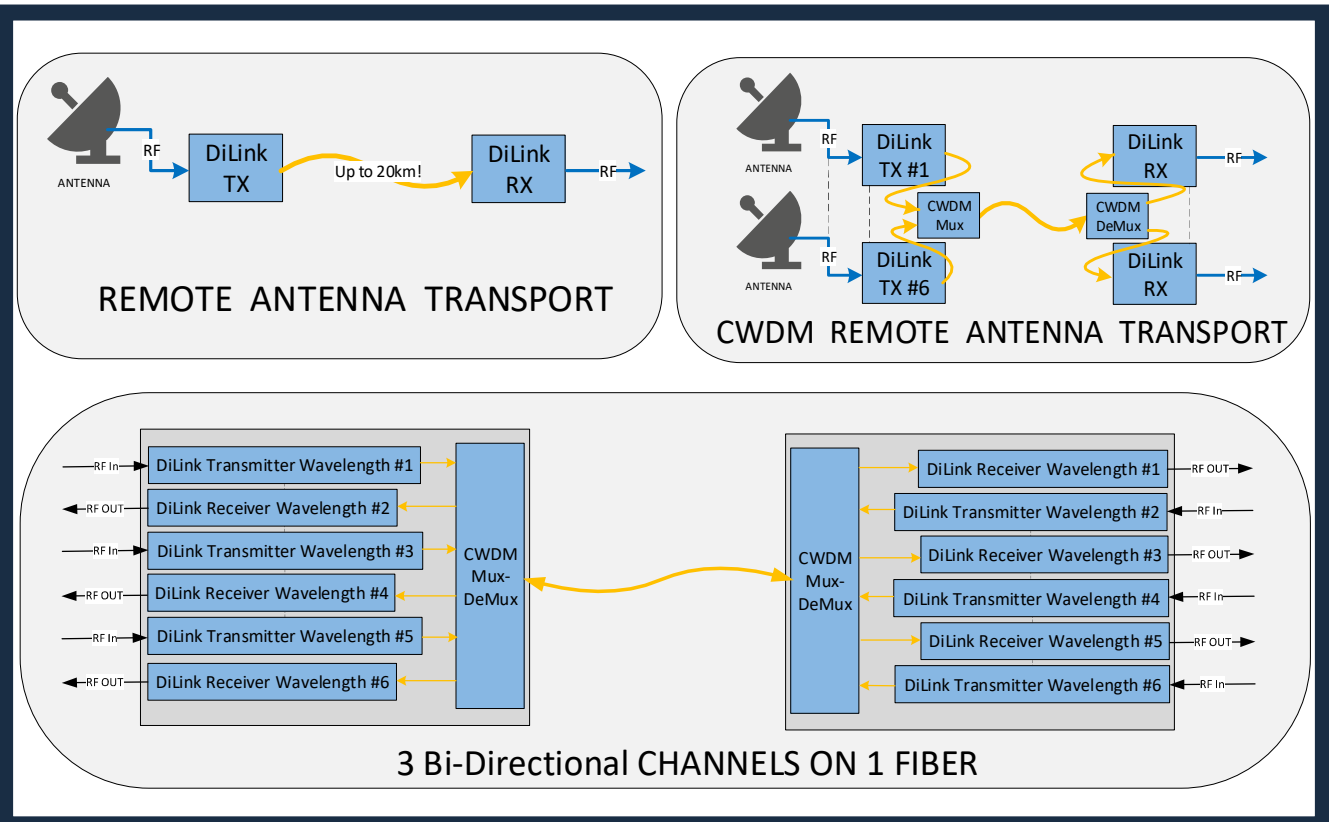
Style	Gain	Freq (MHz)	Link Gain (dB) @ centerband	RF Input Compression (dBm)	RF Input IP3 (dBm)	Link Noise Figure (dB)	SFDR3 typical (dB/Hz ^{2/3})
W	0	100 to 1000	0 +/- 2	0	15	30	107
W	0	500 to 2500	0 +/- 2	0	15	30	107
W	0	1000 to 4000	0 +/- 2	0	12	30	105
W	15	100 to 1000	15 +/- 2	-6	10	30	104
W	15	500 to 2500	15 +/- 2	-6	10	30	103
W	15	1000 to 4000	15 +/- 2	-6	6	30	101
N	0	900 to 2250	0 +/- 2	4	17	30	108
N	0	2000 to 3400	0 +/- 2	2	12	28	106
N	15	900 to 2250	15 +/- 2	-1	13	30	105
N	15	2000 to 3400	15 +/- 2	-1	8	28	103

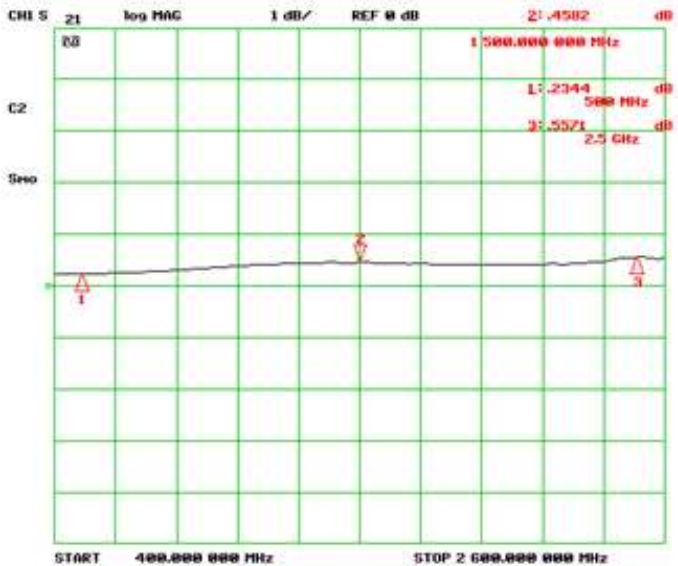
ALL UNITS:

Gain Variation over Temp	+/- 1 dB
Gain Flatness Full Band	+/- 1 dB
Gain Flatness over any 250 MHz	+/- 0.25 dB
RF Input/Output Return Loss	10 dB Min
RF Connector	SMA Female
Optical Connector	FC/APC

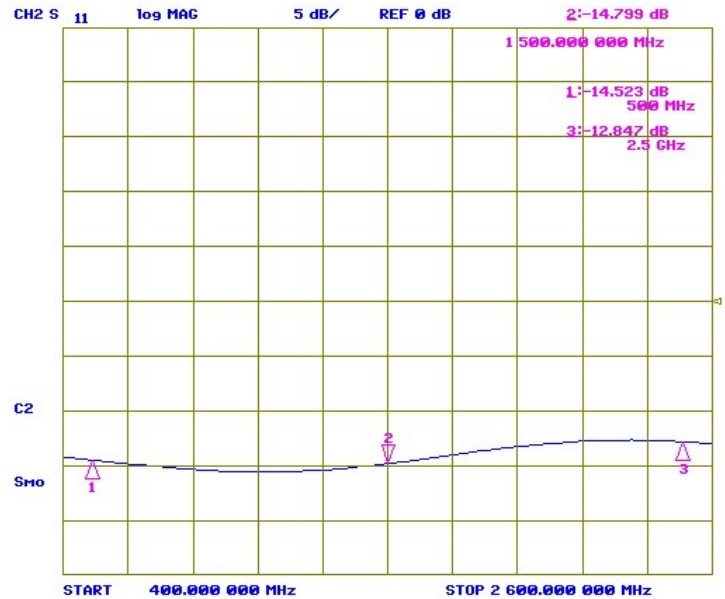
Absolute Maximum Ratings

Storage Temperature	-20 to +85 °C
RF Input Level (TX)	+ 10 dBm
Optical Input Level (RX)	+ 5 dBm
Transmitter Power Consumption	3 W
Receiver Power Consumption	3.5 W





L-BAND LINK
Gain



L-BAND LINK
Input Return Loss

IFL-DL ORDERING INFORMATION

I F L - D L m w s f g

example:

IFL-DLT5W30FSM

Transmitter

1550 nm

Wideband

500 to 2500 MHz

0 dB Link Gain

m Module Type

T Transmitter

R Receiver

w Wavelength

3 1310

5 1550

C custom

s Style

W Wideband

N HDN/LN

I HDN/HIP3

f Frequency Range

1 2 to 500 (W style only)

2 100 to 1000 (W style only)

3 500 to 2500 (W style only)

4 1000 to 4000 (W style only)

5 2 to 100

6 100 to 500

7 900 to 2250

8 2000 to 3400

C custom

g Link Gain

0 0 dB

1 15 dB

C custom